

# EUROPA SERIES 500

## 10.0mm SPACING

### TECHNICAL DATA

#### MECHANICAL

##### Torque:

4.5 lbs-in. Max.

##### Operating temperature:

-35°C to +100°C

-31°F to +212°F

#### MATERIAL

##### Contact Block:

Brass, Tin Plated

##### Wire Guard:

Stainless Steel

##### Screw:

M3 x 6.0mm, Steel, Zinc Plated

##### Insulator body:

Polyamide, UL 94V-2, Natural

#### ELECTRICAL

##### Voltage rating:

UL: 250VAC, CSA: 300VAC

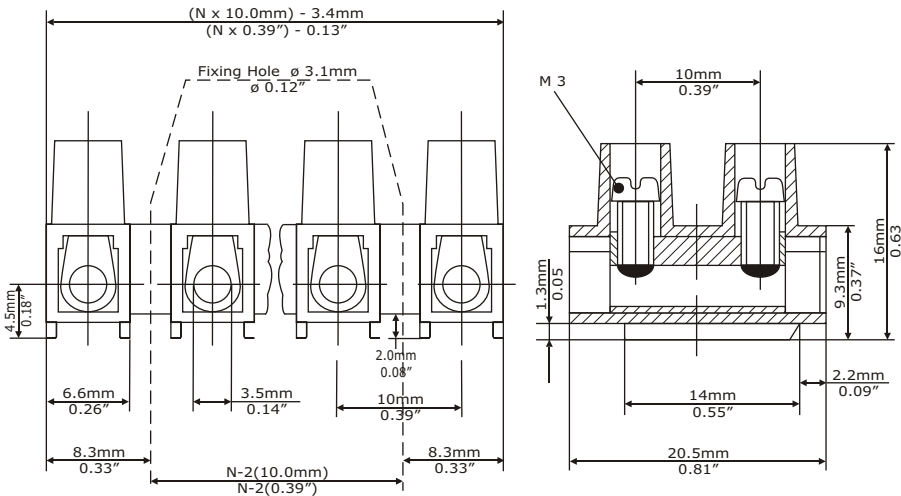
##### Current rating:

UL: 30 Amps, CSA: 25 Amps

##### Wire range:

10-22AWG

### DIMENSIONAL REFERENCE



Safety Approval:



### PART NUMBERING

Part Number / Ordering Information

**500-XX-XXDS**

NUMBER OF  
POSITIONS  
12 Maximum

MOUNTING  
HOLE OPTIONS

..31 - Standard, 3.1 MM Mounting Hole  
..35 - Optional, 3.5 MM Mounting Hole

DS = Standard wireguard.  
Omit DS if no wireguard is required.

N = Number of contacts