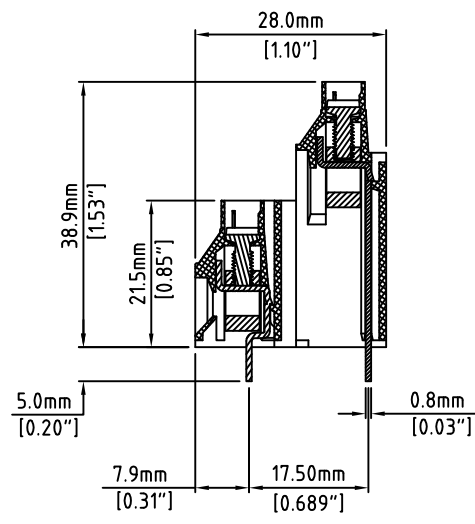
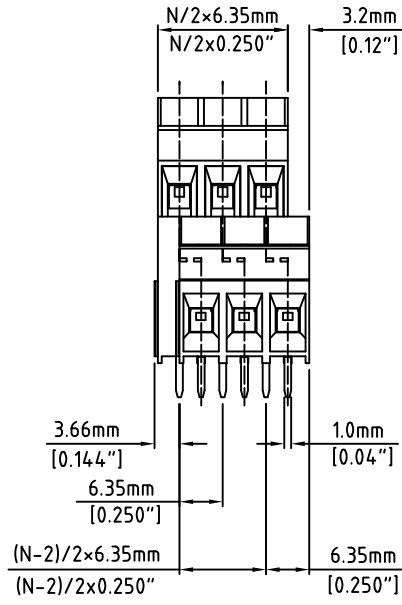


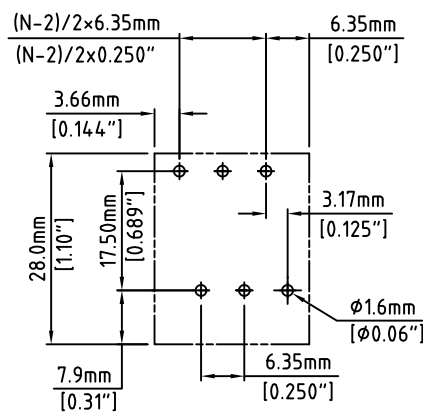
RoHS Compliant

Rev.	Description/Eco	Date	By



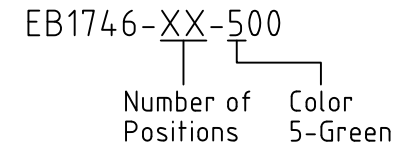
Material:	
Contact Block:	Brass, Ni Plated
Contact Solder Pin:	Copper, Tin Plated
Screw:	M3.5, Steel, Zinc Plated, "-" slotted
Insulating Body:	Polyamide, UL94V-0, Green
Electrical	
Voltage Rating:	300 VAC
Current rating:	30 AMPS
Withstand Voltage:	1500 VAC, Test time 60 sec
Wire Range:	10-30 AWG
Mechanical	
Torque:	5.2 lbs-in. Max
Operating Temperature:	-40°C to +115°C -40°F to +239°F
Soldering Temperature:	260°C, 500°F for 5 seconds
Safety Approval:	

N=Number of Positions



P.C.B. Layout

Part Number Configuration.



(Other Color Options Available)  
Please consult Factory

Max Number of Positions = 2x16

UNLESS OTHERWISE SPECIFIED BREAK ALL SHARP EDGES AND DEBURR ALL HOLES

TITLE: 6.35mm SPACING, CAGE CLAMP BLOCK DUAL LEVEL

LIMITS: UNLESS OTHERWISE SPECIFIED HUND. ± 0.2 FRACT. ± 1/64 THOU. ± 0.005 ANGLE ± 1°	SCALE	THIS IS A CONFIDENTIAL DRAWING AND MUST BE TREATED AS SUCH. NO DISTRIBUTION IS ALLOWED WITHOUT WRITTEN APPROVAL BY EB ELECTRO INC.	 PLAINVIEW, NY 11803
---	-------	--	-------------------------

IMPORTANT DISCLAIMER: All information provided on this print is for reference. Always perform your own tests and acquire samples and further information to determine product suitability. While we make effort to provide accurate information, we cannot be responsible for errors either of omission or typographical. EB Electro, Inc. assumes no responsibility for the use or suitability of any product. All products and specifications are subject to change without prior written notice.

DRAWN MWP	DATE 05/16/07	SIZE A	DRAWING NUMBER: EB1746-XX-500	REV.
CHECKED	DATE			
APPROVED	DATE			