

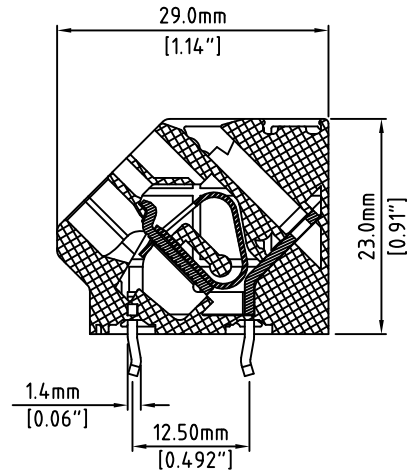
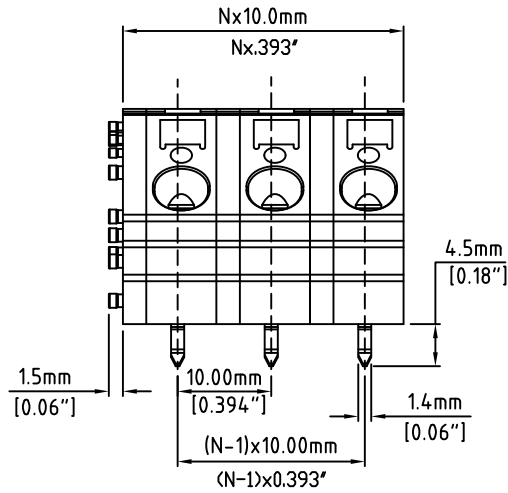
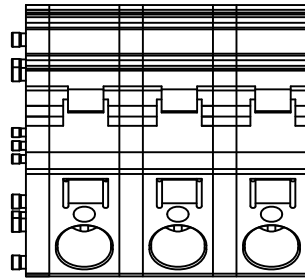
RoHS Compliant

Rev.

Description/Eco

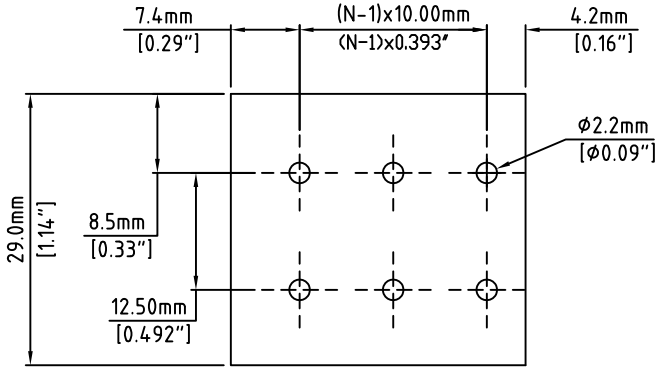
Date

By



| Material:              |                                    |
|------------------------|------------------------------------|
| Contact Block:         | Brass, Tin Plated                  |
| Wire Retention Spring: | Stainless Steel                    |
| Insulating Body:       | Polyamide, UL94V-0, Grey           |
| Electrical             |                                    |
| Voltage Rating:        | 300 VAC                            |
| Current rating:        | 10 AMPS                            |
| Withstand Voltage:     | 1500 VAC, Test time 60 sec         |
| Wire Range:            | 10-24 AWG                          |
| Mechanical             |                                    |
| Operating Temperature: | -40°C to +105°C<br>-40°F to +221°F |
| Soldering Temperature: | 260°C, 500°F for 5 seconds         |
| Safety Approval:       | UL US                              |

N=Number of Positions



P.C.B. Layout

Part Number Configuration.

EB3542-XX-803

Number of Positions: 8  
Color: Grey

(Other Color Options Available)  
Please consult Factory

Max Number of Positions = 16

UNLESS OTHERWISE SPECIFIED BREAK ALL SHARP EDGES AND DEBURR ALL HOLES

TITLE: 10.00mm SPACING, SCREWLESS BLOCK

LIMITS: UNLESS OTHERWISE SPECIFIED  
HUND.±.02 FRACT.±1/64 THOU.±.005 ANGLE±1°

SCALE: THIS IS A CONFIDENTIAL DRAWING AND MUST BE TREATED AS SUCH. NO DISTRIBUTION IS ALLOWED WITHOUT WRITTEN APPROVAL BY EB3 ELECTRO INC.



IMPORTANT DISCLAIMER: All information provided on this print is for reference. Always perform your own tests and acquire samples and further information to determine product suitability. While we make effort to provide accurate information, we cannot be responsible for errors either of omission or typographical. EB3 Electro, Inc. assumes no responsibility for the use or suitability of any product. All products and specifications are subject to change without prior written notice.

METRIC LIMITS  
ONE PLACE ±0.3  
TWO PLACES ±0.10  
ANGLE ±1°

DRAWN: JM DATE: 08/02/07  
CHECKED: DATE: \_\_\_\_\_  
APPROVED: DATE: \_\_\_\_\_

SIZE: A

DRAWING NUMBER: EB3542-XX-803

REV.