

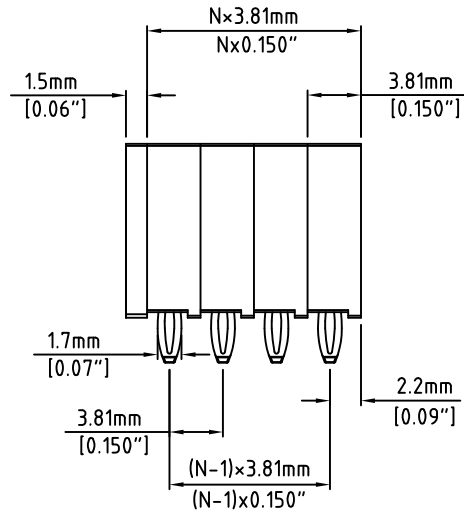
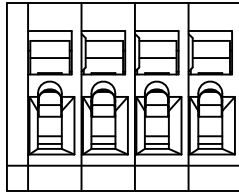
RoHS Compliant

Rev.

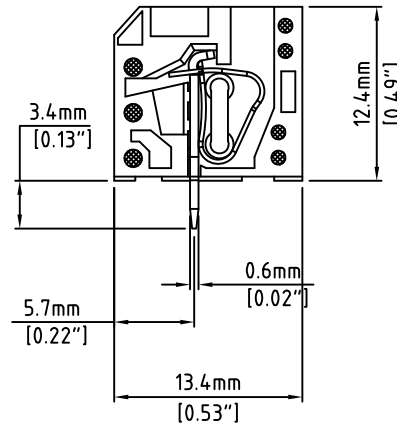
Description/Eco

Date

By



N = Number of Positions



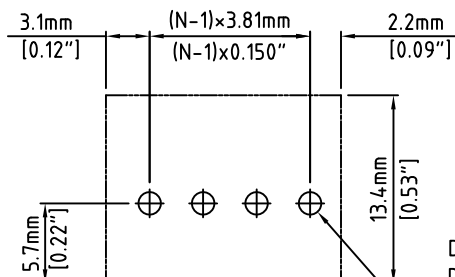
Material:	
Contact Press Pin:	Brass, Tin Plated
Wire Retention Spring:	Stainless Steel
Insulating Body:	Polyamide, UL94V-0, Grey
Electrical	
Voltage Rating:	300 VAC
Current rating:	8 AMPS
Withstand Voltage:	1500 VAC, Test time 60 sec
Wire Range:	12-28 AWG
Mechanical	
Operating Temperature:	-40°C to +105°C -40°F to +221°F
Safety Approval:	C _{RU} US

Part Number Configuration.

EB486-XX-810

Number of Positions: 8
Color: 8-Grey

(Other Color Options Available)
Please consult Factory



P.C.B. Layout

Diameter of metal plated hole:
 $\phi 1.60\text{mm} \begin{matrix} +0.09\text{mm} \\ -0.06\text{mm} \end{matrix}$
 $\phi 0.063 \begin{matrix} +0.004 \text{\"/>$

MAX NUMBER OF POSITIONS = 24

UNLESS OTHERWISE SPECIFIED BREAK ALL SHARP EDGES AND DEBURR ALL HOLES	TITLE:	3.81mm SPACING, SCREWLESS BLOCK PRESS FIT	
	LIMITS: UNLESS OTHERWISE SPECIFIED HUND.±.02 FRACT.±1/64 THOU.±.005 ANGLE±1°	SCALE	THIS IS A CONFIDENTIAL DRAWING AND MUSTBE TREATED AS SUCH. NO DISTRIBUTION IS ALLOWED WITHOUT WRITTEN APPROVAL BY EB4 ELECTRO INC.
DRAWN JM		DATE 07/25/07	SIZE A
CHECKED		DATE	DRAWING NUMBER: EB486-XX-810
APPROVED		DATE	REV.



IMPORTANT DISCLAIMER: All information provided on this print is for reference. Always perform your own tests and acquire samples and further information to determine product suitability. While we make effort to provide accurate information, we cannot be responsible for errors either of omission or typographical. EB4 Electro, Inc. assumes no responsibility for the use or suitability of any product. All products and specifications are subject to change without prior written notice.

METRIC LIMITS
 ONE PLACE ±0.3
 TWO PLACES ±0.10
 ANGLE ± 1°