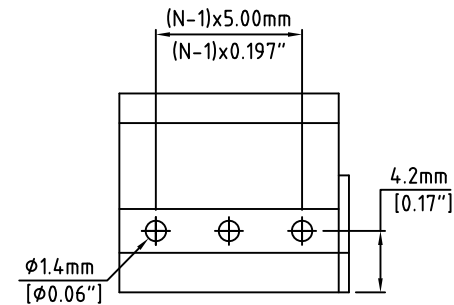
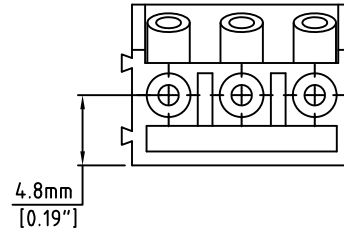
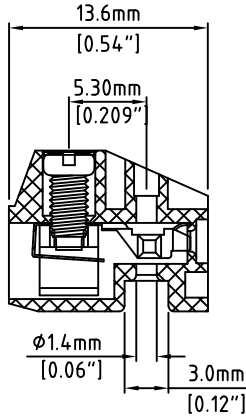
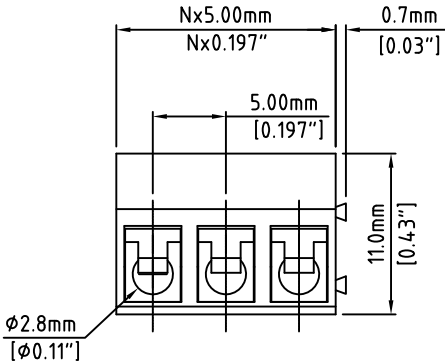
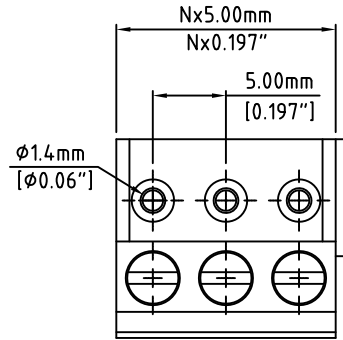


N=Number of Positions



P.C.B. Layout

Material:	
Contact Block:	Brass, Ni Plated
Wire Guard:	PhBz
Terminal Screw:	M2.6, Steel, Zinc Plated, "--" Slotted
Insulating Body:	Polyamide, UL94V-0
Electrical	
Voltage Rating:	300 VAC
Current rating:	15 AMPS
Wire Range:	14-22 AWG
Withstand Voltage:	1500 VAC, Test time 60 seconds
Mechanical	
Torque:	3.5 lbs-in Max
Operating Temperature:	-40°C to +105°C -40°F to +221°F
Safety Approval:	CE US


Part Number Configuration.

EB500-XXDS-X00

Number of Positions: X
Color: X
0-Black
5-Green
6-Blue

(Other Color Options Available)
Please consult Factory

Max Number of Positions = 24

UNLESS OTHERWISE SPECIFIED BREAK ALL SHARP EDGES AND DEBURR ALL HOLES	TITLE: 5.00mm SPACING, PLUGGABLE BLOCK WITH DOVE TAIL
LIMITS: UNLESS OTHERWISE SPECIFIED HUND.±.02 FRACT.±1/64 THOU.±.005 ANGLE±1°	SCALE THIS IS A CONFIDENTIAL DRAWING AND MUSTBE TREATED AS SUCH. NO DISTRIBUTION IS ALLOWED WITHOUT WRITTEN APPROVAL BY EBYP ELECTRO INC.
METRIC LIMITS ONE PLACE ±0.3 TWO PLACES ±0.10 ANGLE ± 1°	 PLAINVIEW, NY 11803

IMPORTANT DISCLAIMER: All information provided on this print is for reference. Always perform your own tests and acquire samples and further information to determine product suitability. While we make effort to provide accurate information, we cannot be responsible for errors either of omission or typographical. EBYP Electro, Inc. assumes no responsibility for the use or suitability of any product. All products and specifications are subject to change without prior written notice.

DRAWN MWP	DATE 04/28/08	SIZE A	DRAWING NUMBER: EB500-XXDS-X00	REV.
CHECKED	DATE			
APPROVED	DATE			