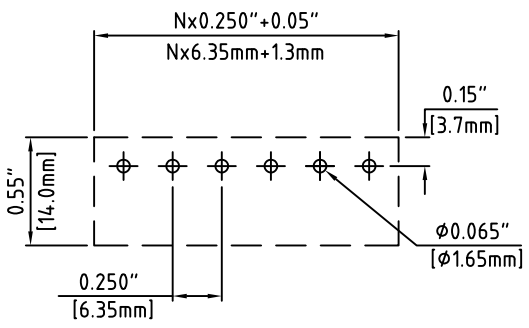
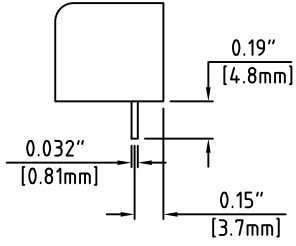


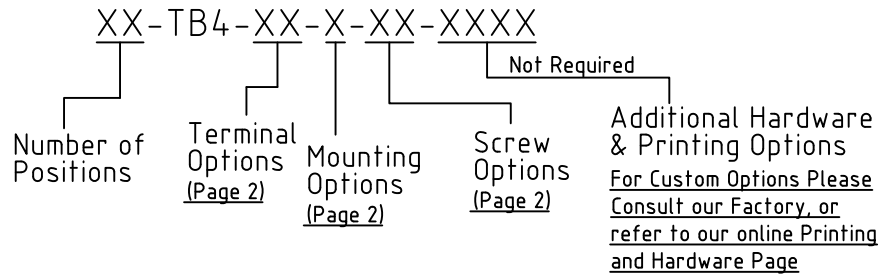
N=Number of Positions



PCB Layout

Material:	
Contact Solder Pin:	Brass, Tin Plated
Insulating Body:	Polyamide, UL94V-0, Black
Terminal Screw:	#3-48, Combo Head
Electrical	
Voltage Rating:	150 VAC
Current rating:	10 AMPS
Wire Range:	18-22 AWG
Withstand Voltage:	1500 VAC, Test time 60 seconds
Mechanical	
Torque:	6.0 lbs-in
Operating Temperature:	-40°C to +105°C -40°F to +221°F
Soldering Temperature:	260°C, 500°F for 5 seconds max.
Safety Approval:	UL US

Part Number Configuration.
For More Details, go to next page(s)



Max Number of Positions = 30

UNLESS OTHERWISE SPECIFIED BREAK ALL SHARP EDGES AND DEBURR ALL HOLES

TITLE: 0.250" SPACING, TRI-BARRIER BLOCK

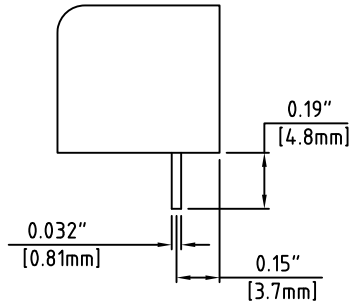
LIMITS: UNLESS OTHERWISE SPECIFIED HUND.±.02 FRACT.±1/64 THOU.±.005 ANGLE±1°	SCALE	THIS IS A CONFIDENTIAL DRAWING AND MUSTBE TREATED AS SUCH. NO DISTRIBUTION IS ALLOWED WITHOUT WRITTEN APPROVAL BY EBYP ELECTRO INC.	EBY Electro Inc. PLAINVIEW, NY 11803
---	-------	---	--

IMPORTANT DISCLAIMER: All information provided on this print is for reference. Always perform your own tests and acquire samples and further information to determine product suitability. While we make effort to provide accurate information, we cannot be responsible for errors either of omission or typographical. EBYP Electro, Inc. assumes no responsibility for the use or suitability of any product. All products and specifications are subject to change without prior written notice.

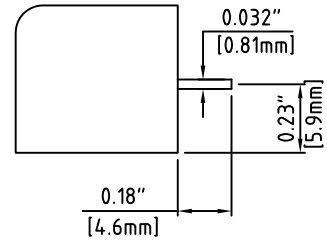
METRIC LIMITS ONE PLACE ±0.3 TWO PLACES ±0.10 ANGLE ±1°	DRAWN JM CHECKED APPROVED	DATE 11/02/10 DATE DATE	SIZE A	DRAWING NUMBER: TB4-0001	REV.
--	---------------------------------	-------------------------------	-----------	-----------------------------	------

Terminal Options

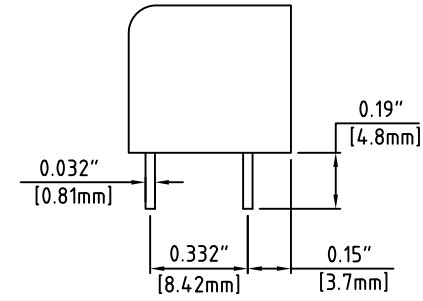
PC - PC Mount



RA - Right Angle PC Mount

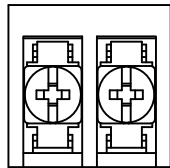


DL - Dual PC Mounts

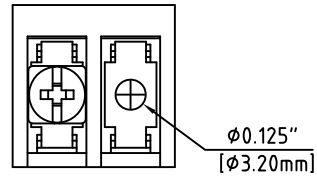


Mounting Options

N - No Mounting



W - Mountable with End Barrier



Available Screw Options

00 - No Screws

02 - Steel, Zinc Plated, w/ Washer

46 - Steel, Zinc Plated, Thread Interrupt w/ Washer, Wire Ready

UNLESS OTHERWISE SPECIFIED BREAK ALL SHARP EDGES AND DEBURR ALL HOLES

TITLE: Part Number Configuration for TB4 Series

LIMITS: UNLESS OTHERWISE SPECIFIED
 HUND. ± 0.2 FRACT. ± 1/64
 THOU. ± 0.05 ANGLE ± 1°

SCALE THIS IS A CONFIDENTIAL DRAWING AND MUST BE TREATED AS SUCH. NO DISTRIBUTION IS ALLOWED WITHOUT WRITTEN APPROVAL BY EBYP ELECTRO INC.



IMPORTANT DISCLAIMER: All information provided on this print is for reference. Always perform your own tests and acquire samples and further information to determine product suitability. While we make effort to provide accurate information, we cannot be responsible for errors either of omission or typographical. EBYP Electro, Inc. assumes no responsibility for the use or suitability of any product. All products and specifications are subject to change without prior written notice.

METRIC LIMITS
 ONE PLACE ± 0.3
 TWO PLACES ± 0.10
 ANGLE ± 1°

DRAWN JM DATE 11/02/10
 CHECKED DATE
 APPROVED DATE

SIZE A

DRAWING NUMBER: TB4-0002

REV.